

ALV2series/ Peripherals

Door Control Unit



Wall-mount card reader / Controller and power supply
ALV2DCU.DP/ALVBDCU.DP / MPC1/MPC2

- Can be used for common door access.
- Reader to be programmed to lock and unlock automatically at predetermined times, set by the property.
- DC12V or DC24V output is available for Magnetic locks, electrified panic bars, electric strikes or other locking device.
- Battery backup is available with only MPC1 (Battery is not included).

MIWA LOCK CO., LTD.

JAPAN 3-1-12, Shiba, Minato-ku, Tokyo 105-8510
URL: www.miwa-lock.biz

U.S.A 9272 Jeronimo, Suite 119, Irvine CA 92618
URL: www.miwalock.com

Specifications

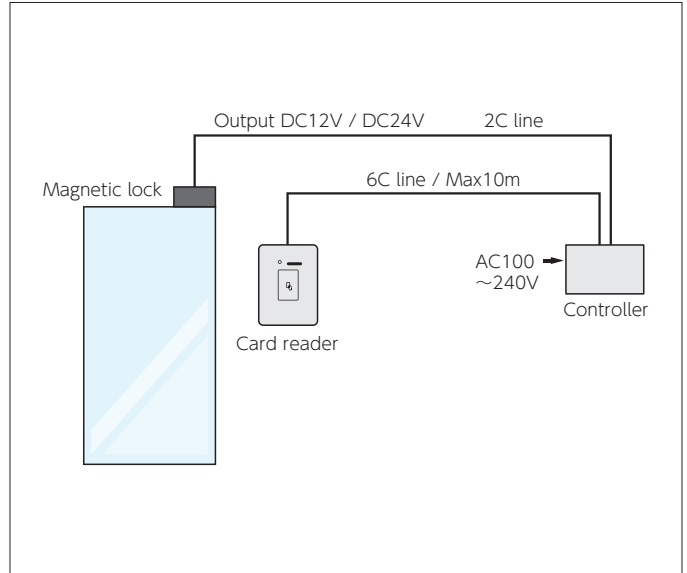
Wall mount card reader

Type	ALV2DCU.DP (RFID only) ALVBDCU.DP (RFID + BLE)
External dimensions	W121mm× H184mm× D68.8mm
Weight	300g
Power supply	Supplied from controller
Environmental condition	-5°C~+50°C / 20~80%RH (No condensation)

Controller and power supply

Type	MPC1 (With Battery Space) MPC2 (No Battery Space)
External dimensions ※ Including a lid size.	MPC1 : W330mm×H343mm×D86mm MPC2 : W197mm×H311mm×D86mm
Weight	MPC1 : 2.86kg / MPC2 : 2.33kg
Power supply	AC100V/1.5A or AC230V/1.0A
Output	Normal open or close contact 1 relay
Duration of contact	3~18 sec. adjustable
Contact capacity	DC30V / 5A
Environmental condition	Internal installation only 0°C~+50°C / 20~80%RH (No condensation)
Certification	UL 60950-1, EN 60950-1 EN 61000-6-3, EN 55011, EN55032

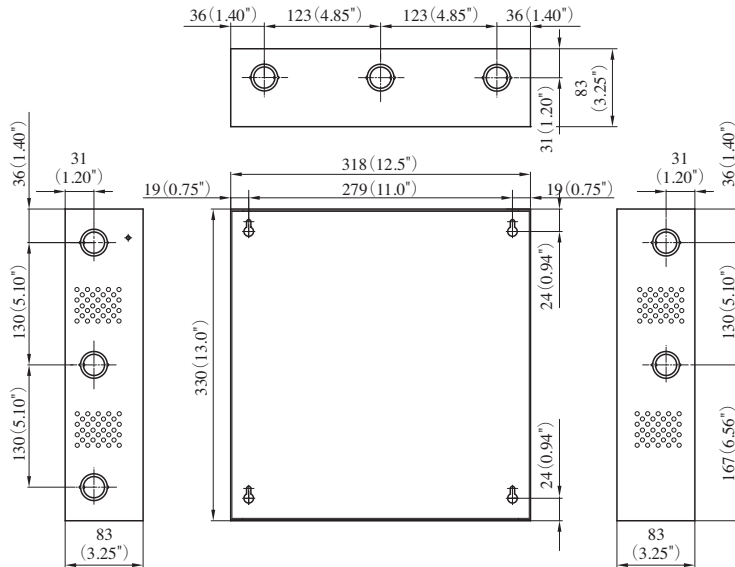
Diagram



Detail Drawing

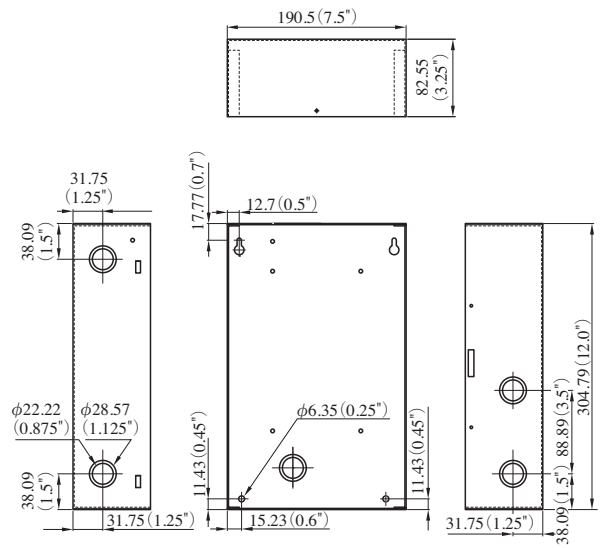
MPC1 (With Battery Space)

※ No Including a lid size.

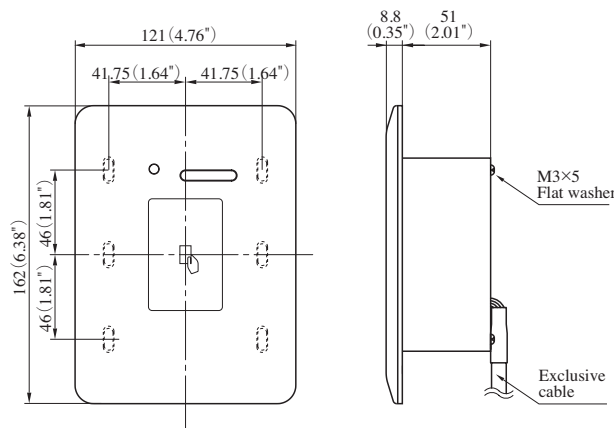


MPC2 (No Battery Space)

※ No Including a lid size.



ALV2DCU.DP



ALV2 (ALVB) series/ Peripherals

Door Control Unit



Wall-mount card reader
ALV2DCU2.DP/ALVBDCU2.DP / Controller and power supply
MPC1/MPC2

- Can be used for common door access.
- Exterior card reader to accept guest and staff keys.
- Reader to be programmed to lock and unlock automatically at predetermined times, set by the property.
- DC12V or DC24V output is available for Magnetic locks, electrified panic bars, electric strikes or other locking device.
- Battery backup is available with only MPC1 (Battery is not included).
- ALVB Available with Mobile key option.

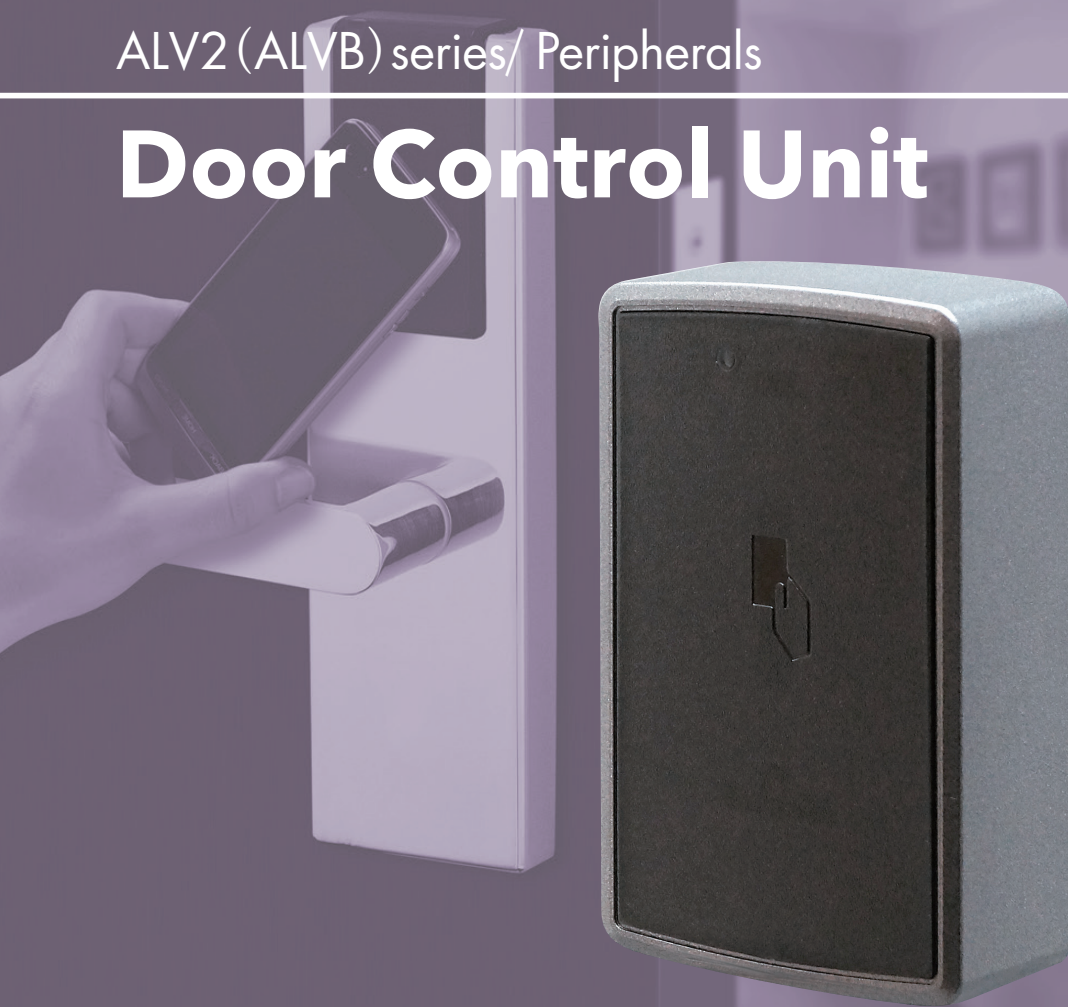
MIWA LOCK CO., LTD.

JAPAN 3-1-12, Shiba, Minato-ku, Tokyo 105-8510
URL : www.miwa-lock.biz

U.S.A 9272 Jeronimo, Suite 119, Irvine CA 92618
URL : www.miwalock.com

ALV2 (ALVB) series/ Peripherals

Door Control Unit



Surface-mount card reader / Controller and power supply
ALV2DCU3.DP/ALVBDCU3.DP / MPC1/MPC2

- Can be used for common door access.
- Reader to be programmed to lock and unlock automatically at predetermined times, set by the property.
- DC12V or DC24V output is available for Magnetic locks, electrified panic bars, electric strikes or other locking device.
- Battery backup is available with only MPC1 (Battery is not included).
- ALVB Available with Mobile key option.

MIWA LOCK CO., LTD.

JAPAN 3-1-12, Shiba, Minato-ku, Tokyo 105-8510
URL: www.miwa-lock.biz

U.S.A 9272 Jeronimo, Suite 119, Irvine CA 92618
URL: www.miwalock.com

Specifications

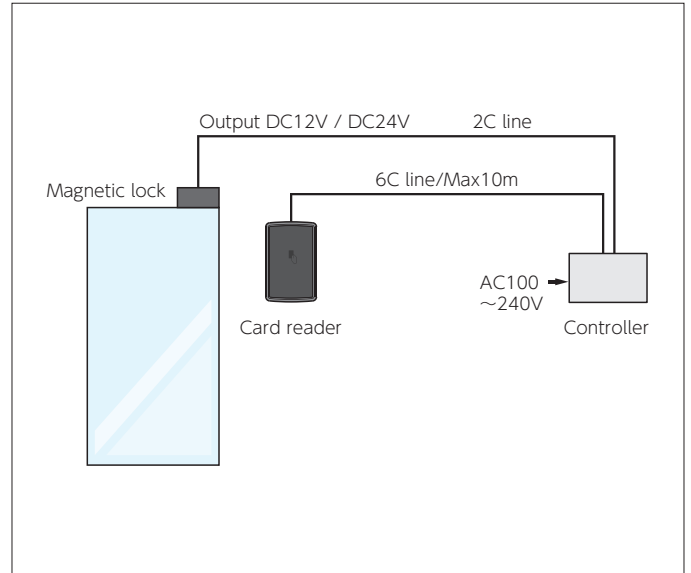
Surface mount card reader

Type	ALV2DCU3.DP (RFID only) ALVBDCU3.DP (RFID + BLE)
External dimensions	W76mm× H120mm× D33mm
Weight	270g
Power supply	Supplied from controller
Environmental condition	-5°C~+50°C / 20~80%RH (No condensation)

Controller and power supply

Type	MPC1 (With Battery Space) MPC2 (No Battery Space)
External dimensions ※ Including a lid size.	MPC1 : W330mm×H343mm×D86mm MPC2 : W197mm×H311mm×D86mm
Weight	MPC1 : 2.86kg / MPC2 : 2.33kg
Power supply	AC100V/1.5A or AC230V/1.0A
Output	Normal open or close contact 1 relay
Duration of contact	3~18 sec. adjustable
Contact capacity	DC30V / 5A
Environmental condition	Internal installation only 0°C~+50°C / 20~80%RH (No condensation)
Certification	UL 60950-1, EN 60950-1 EN 61000-6-3, EN 55011, EN55032

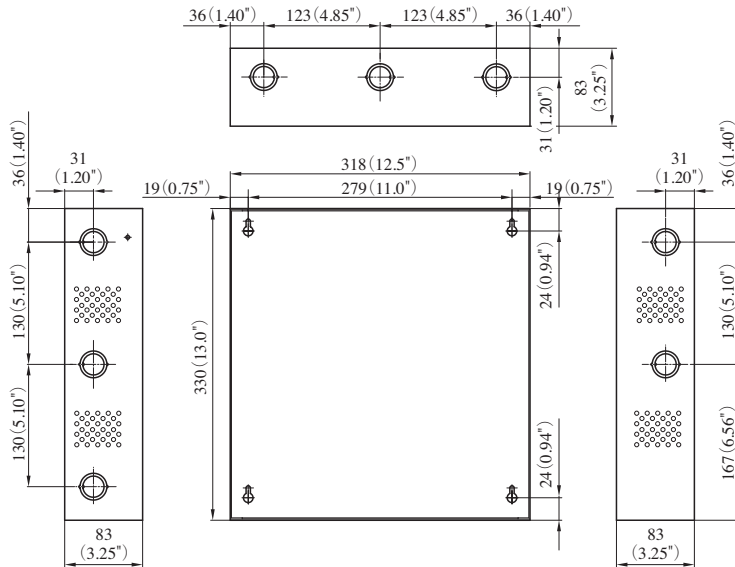
Diagram



Detail Drawing

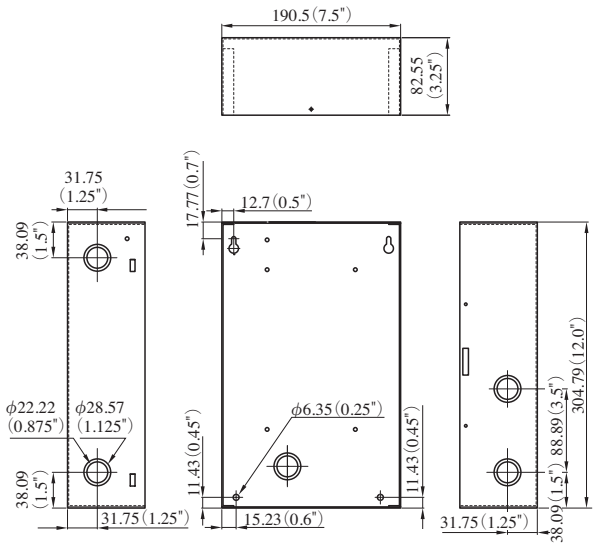
MPC1 (With Battery Space)

※ No Including a lid size.



MPC2 (No Battery Space)

※ No Including a lid size.



ALV2DCU3.DP ALVBDCU3.DP

